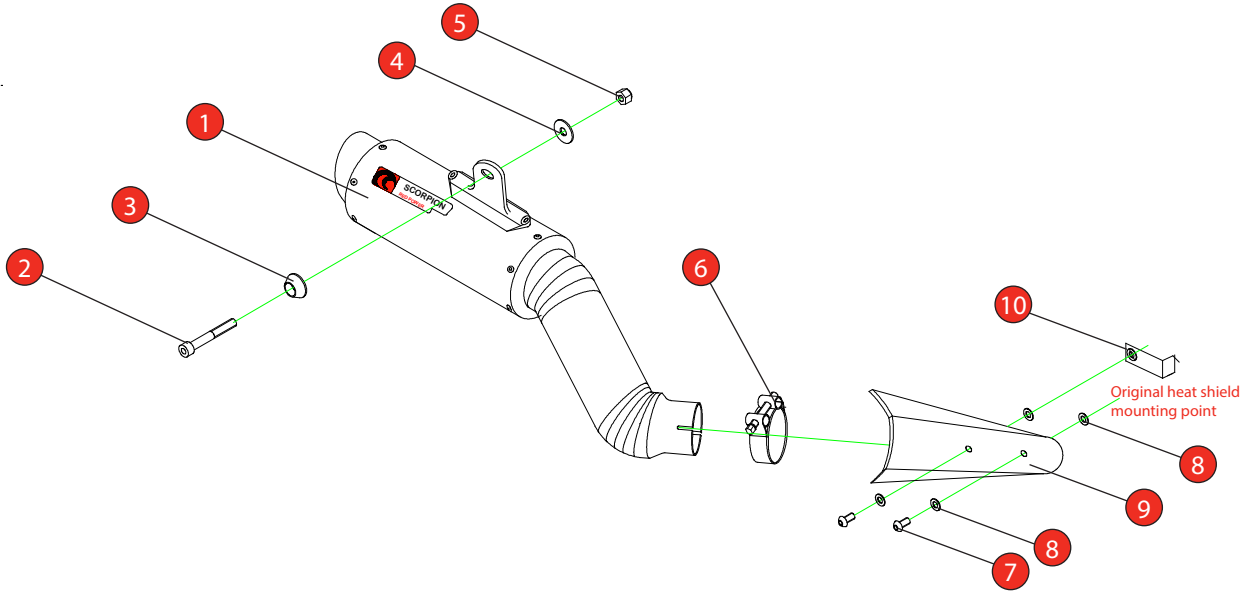


Bike	Kawasaki Z900	Part No.	KA-1013
Year	2017-Current	Fit Kits	Z039.10600
Notes	Where not supplied use original fittings	dB Killer	Z038.10538 (TYPE LL)

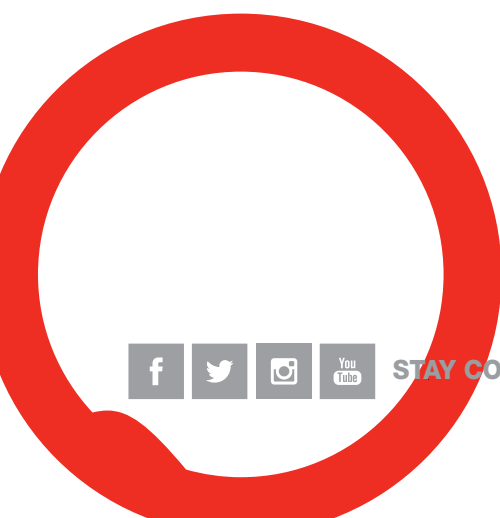
Estimated Fitting Time: 60 Minutes



NO.	PART NO.	DESCRIPTION	QTY
1	SC392	RP1-GP Silencer With Integrated CP935	1
Fit Kit - Z039.10600			
2	Z017.10080	M8 x 60mm Cap Head Bolt	1
3	Z026.20068	Alloy Bolt Finisher	1
4	Z017.10825	M8 x 25mm Washer	1
5	Z017.10062	M8 Nyloc Nut	1
6	Z016.10002	51-55mm Clamp	1
7	Z017.10608	M6 x 16mm Button Head Bolt	2
8	Z017.12781	Black Fibre Washer	4
9	Z028.20350	Black Composite Heat Shield	1
10	Z015.31310	Heat Shield Support Bracket	1

E-MARK	e11 00516
DATE	07/03/17
ISSUE	00
AUTHORISED	M.Ydlibi

NOTE: ENSURE SCORPION SYSTEM IS CLEAR OF MOVING PARTS AND ALL ORIGINAL FUNCTIONS WORK CORRECTLY.



STAY CONNECTED TO RED POWER.

Bike	Kawasaki Z900	Part No.	KA-1013
Year	2017-Current	Fit Kits	Z039.10600
Notes	Where not supplied use original fittings	dB Killer	Z038.10538 (TYPE LL)

Estimated Fitting Time: 60 Minutes



A) Remove original exhaust from bike, taking care to keep all original components in a safe place.

B) Refit Scorpion exhaust as per line diagram above.

C) When fitted take bike for a short ride to ensure all functions are correct.

D) When bike & exhaust are cool enough check all nuts and bolts are still secure.

Thank you for purchasing your Scorpion Silencer.

Care of your exhaust: Please refrain from cleaning silencer with heavy solvents or abrasives!

Vielen Dank Für den kauf eines Scorpion Schalldampfers! Pflegehinweis: Bitte verwenden Sie niemals Scheuermittel oder aggressive Reiniger zur Pflege Ihres Auspuffes!

Merci d'avoir choisi un echappement Scorpion.

Entretien de votre silencieux: Ne pas utiliser de solvants ou de produits abrasifs!

Muchas gracias por adquirir un Silencioso Scorpion. Le recomendamos no limpiar el silencioso con productos abrasivos o aquellos que contengan disolventes.



STAY CONNECTED TO RED POWER.