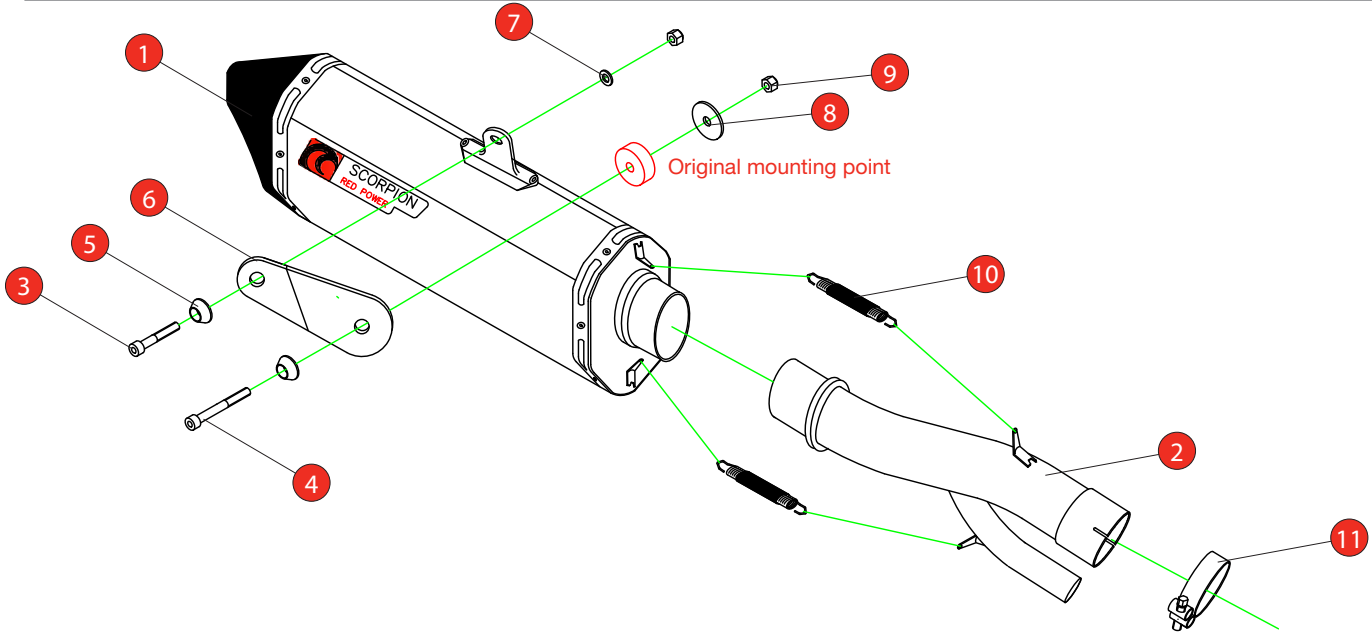


<b>Bike</b>	BMW S1000 XR	<b>Part No.</b>	RBM-75
<b>Year</b>	2016-Current	<b>Fit Kit</b>	Z039.10577
<b>Notes</b>	Where not supplied use original fittings	<b>dB Killer</b>	No dB Killer required. This product is EC approved without a dB killer being fitted.

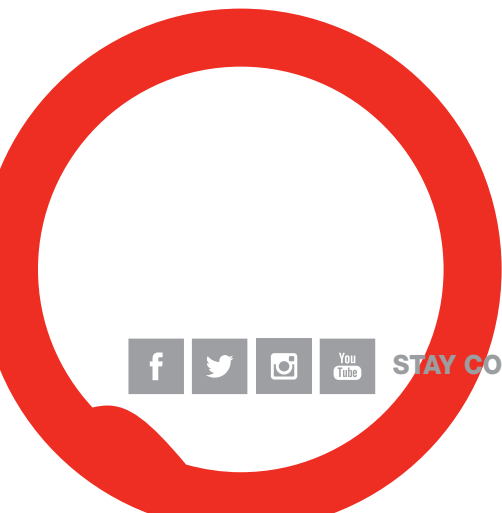
Estimated Fitting Time: 60 Minutes



NO.	PART NO.	DESCRIPTION	QTY
1	RSC398	Serket Taper Silencer	1
2	CP939	Connecting Pipe	1
<b>Fit Kit - Z039.10577</b>			
3	Z017.10073	M8 x 25mm Cap Head Bolt	1
4	Z017.10075	M8 x 35mm Cap Head Bolt	1
5	Z026.20068	Alloy Bolt Finisher	2
6	Z015.31315	Mounting Bracket	1
7	Z017.10831	M8 x 17mm Washer	1
8	Z017.11019	M10 x 35mm Washer	1
9	Z017.10062	M8 Nyloc Nut	2
10	Z028.10030	Rubber Coated Spring	2
11	Z016.10002	51-55mm Clamp	1

E-MARK	e11 0949
DATE	19/04/17
ISSUE	00
AUTHORISED	M.Ydlibi

**NOTE:** ENSURE SCORPION SYSTEM IS CLEAR OF MOVING PARTS AND ALL ORIGINAL FUNCTIONS WORK CORRECTLY.



STAY CONNECTED TO RED POWER.

<b>Bike</b>	BMW S1000 XR	<b>Part No.</b>	RBM-75
<b>Year</b>	2016-Current	<b>Fit Kit</b>	Z039.10577
<b>Notes</b>	Where not supplied use original fittings	<b>dB Killer</b>	No dB Killer required. This product is EC approved without a dB killer being fitted.

Estimated Fitting Time: 60 Minutes



A) Remove original exhaust from bike, taking care to keep all original components in a safe place.

B) Refit Scorpion exhaust as per line diagram above.

C) When fitted take bike for a short ride to ensure all functions are correct.

D) When bike & exhaust are cool enough check all nuts and bolts are still secure.



**Please note: When fitting the Scorpion exhaust you need to ensure you have the correct rotation of the clamp as shown in the picture.**

Thank you for purchasing your Scorpion Silencer.  
Care of your exhaust: Please refrain from cleaning silencer with heavy solvents or abrasives!

Vielen Dank Für den kauf eines Scorpion Schalldampfers! Pflegehinweis: Bitte verwenden Sie niemals Scheuermittel oder aggressive Reiniger zur Pflege Ihres Auspuffes!

Merci d'avoir choisi un echappement Scorpion.  
Entretien de votre silencieux: Ne pas utiliser de solvants ou de produits abrasifs!

Muchas gracias por adquirir un Silencioso Scorpion. Le recomendamos no limpiar el silencioso con productos abrasivos o aquellos que contengan disolventes.



STAY CONNECTED TO RED POWER.