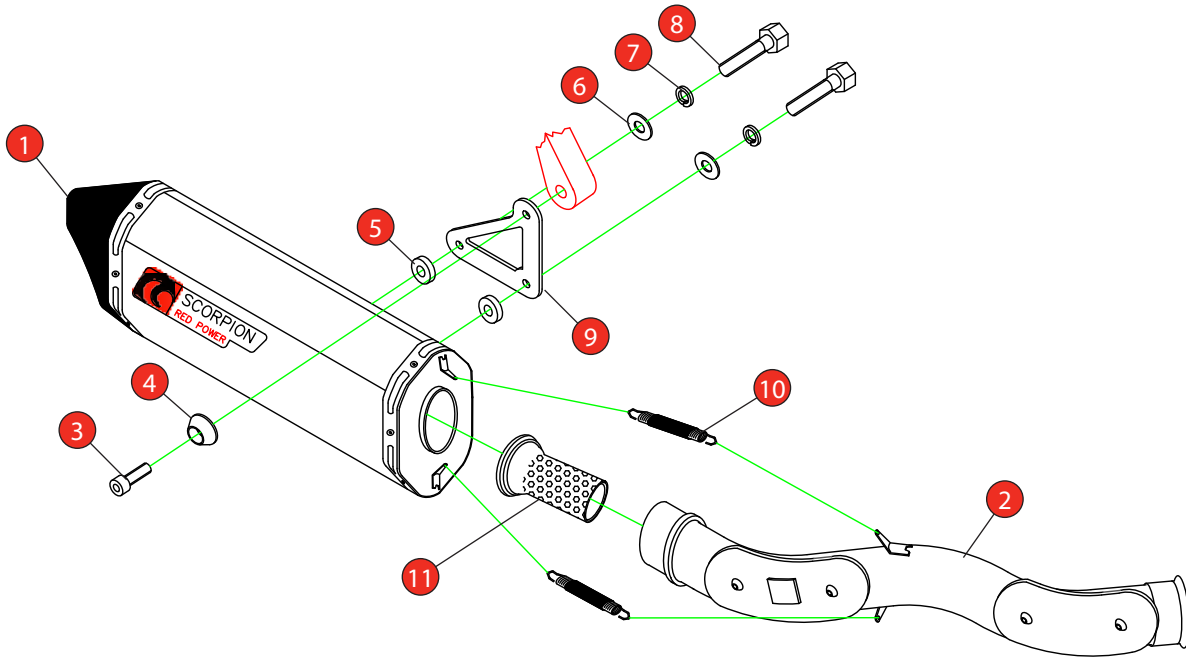


Bike	KTM Adventure 890 / Adventure 890 R	Part No.	RKT-93
Year	2021-Current	Fit Kit	Z039.10671
Notes	Where not supplied use original fittings. Do NOT remove OE Gasket.	dB Killer	SCEXDBK23 - (Type V)

Estimated Fitting Time: 60 Minutes



NO.	PART NO.	DESCRIPTION	QTY
1	RSC481	Serket Parallel Silencer	1
2	CP1070	Connecting Pipe With Carbon Fibre Heat Shields (Z028.20406 & Z028.20412)	1
Fit Kit - Z039.10671			
3	Z017.10072	M8 x 20mm Cap Head Bolt	1
4	Z026.20068B	Black Alloy Bolt Finisher	1
5	Z026.20049	M8 x 5mm Alloy Spacer	2
6	Z017.10825	M8 x 25mm Washer	2
7	Z017.10064	M8 Spring Washer	2
8	Z017.10048	M8 x 25mm Hex Head Bolt	2
9	Z015.31445	Mounting Bracket	1
10	Z028.10030	Rubber Coated Spring	2
11	Z028.20188	Closed End Flute	1

CLASSIFICATION	Closed Circuit Product
HOMOLOGATED	No
DATE	04/05/2022
ISSUE	00
AUTHORISED	S Shipley



STAY CONNECTED TO RED POWER.

Bike	KTM Adventure 890 / Adventure 890 R	Part No.	RKT-93
Year	2021-Current	Fit Kit	Z039.10671
Notes	Where not supplied use original fittings. Do NOT remove OE Gasket.	dB Killer	SCEXDBK23 - (Type V)

Estimated Fitting Time: 60 Minutes



A) Remove original exhaust from bike, taking care to keep all original components in a safe place.

B) Refit Scorpion exhaust as per line diagram above.

C) When fitted take bike for a short ride to ensure all functions are correct.

D) When bike & exhaust are cool enough check all nuts and bolts are still secure.

Thank you for purchasing your Scorpion Silencer.

Care of your exhaust: Please refrain from cleaning silencer with heavy solvents or abrasives!

Vielen Dank Für den kauf eines Scorpion Schalldampfers! Pflegehinweis: Bitte verwenden Sie niemals Scheuermittel oder aggressive Reiniger zur Pflege Ihres Auspuffes!

Merci d'avoir choisi un echappement Scorpion.

Entretien de votre silencieux: Ne pas utiliser de solvants ou de produits abrasifs!

Muchas gracias por adquirir un Silencioso Scorpion. Le recomendamos no limpiar el silencioso con productos abrasivos o aquellos que contengan disolventes.



STAY CONNECTED TO RED POWER.