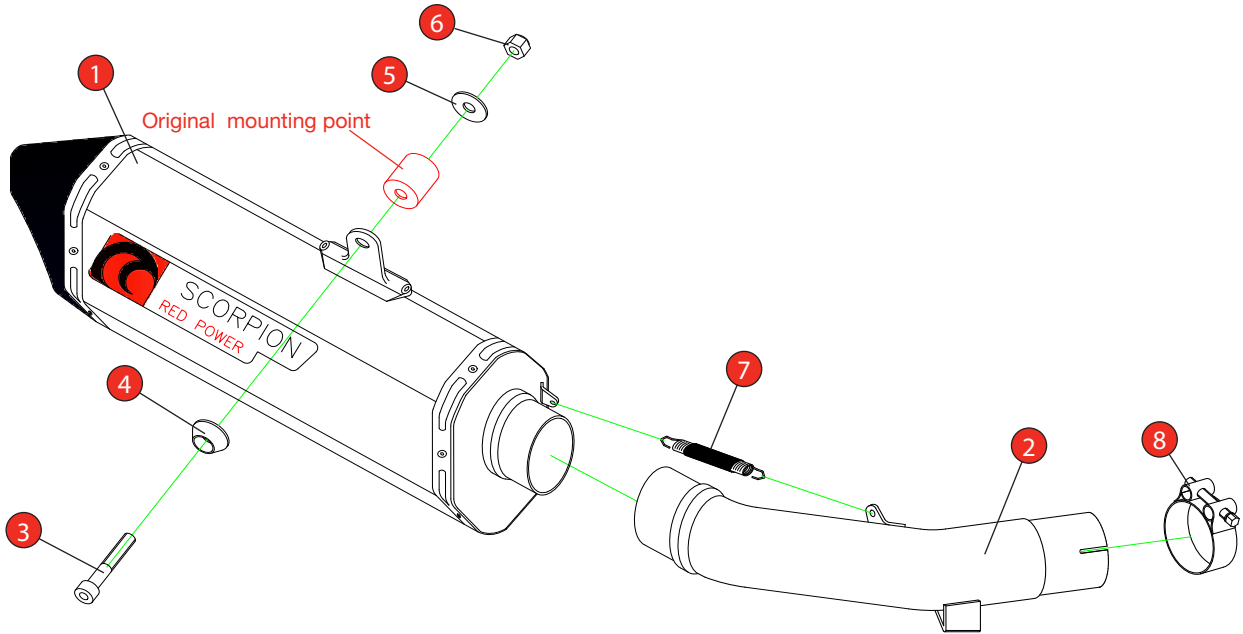


Bike	Kawasaki Versys 1000 / Tourer / GT	Part No.	RKA-132
Year	2019-Current	Fit Kit	Z039.10665
Notes	Where not supplied use original fittings Remove OE gasket to allow fitment of the Scorpion connecting pipe	dB Killer	SCEXDBK25 - (TYPE Y)

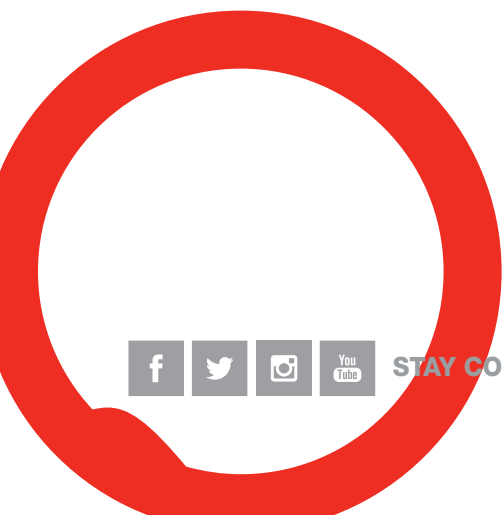
Estimated Fitting Time: 60 Minutes



NO.	PART NO.	DESCRIPTION	QTY
1	RSC477	300mm Serket Parallel Silencer	1
2	CP1063	Connecting Pipe	1
Fit Kit - Z039.10665			
3	Z017.10080	M8 x 60mm Cap Head Bolt	1
4	Z026.20068	Alloy Bolt Finisher	1
5	Z017.10825	M8 x 25mm Washer	1
6	Z017.10062	M8 Nyloc Nut	1
7	Z028.10030	Rubber Coated Spring	1
8	Z016.10008	43-47mm Clamp	1

E-MARK	BSAU193a 1990/t3
DATE	18/12/19
ISSUE	00
AUTHORISED	D.Marshall

NOTE: ENSURE SCORPION SYSTEM IS CLEAR OF MOVING PARTS AND ALL ORIGINAL FUNCTIONS WORK CORRECTLY.



STAY CONNECTED TO RED POWER.

Bike	Kawasaki Versys 1000 / Tourer / GT	Part No.	RKA-132
Year	2019-Current	Fit Kit	Z039.10665
Notes	Where not supplied use original fittings Remove OE gasket to allow fitment of Scorpion connecting pipe.	dB Killer	SCEXDBK25 - (TYPE Y)

Estimated Fitting Time: 60 Minutes



A) Remove original exhaust from bike, taking care to keep all original components in a safe place.

B) Refit Scorpion exhaust as per line diagram above.

C) When fitted take bike for a short ride to ensure all functions are correct.

D) When bike & exhaust are cool enough check all nuts and bolts are still secure.

Thank you for purchasing your Scorpion Silencer.

Care of your exhaust: Please refrain from cleaning silencer with heavy solvents or abrasives!

Vielen Dank Für den kauf eines Scorpion Schalldampfers! Pflegehinweis: Bitte verwenden Sie niemals Scheuermittel oder aggressive Reiniger zur Pflege Ihres Auspuffes!

Merci d'avoir choisi un echappement Scorpion.

Entretien de votre silencieux: Ne pas utiliser de solvants ou de produits abrasifs!

Muchas gracias por adquirir un Silencioso Scorpion. Le recomendamos no limpiar el silencioso con productos abrasivos o aquellos que contengan disolventes.



STAY CONNECTED TO RED POWER.